

Visual Core Description

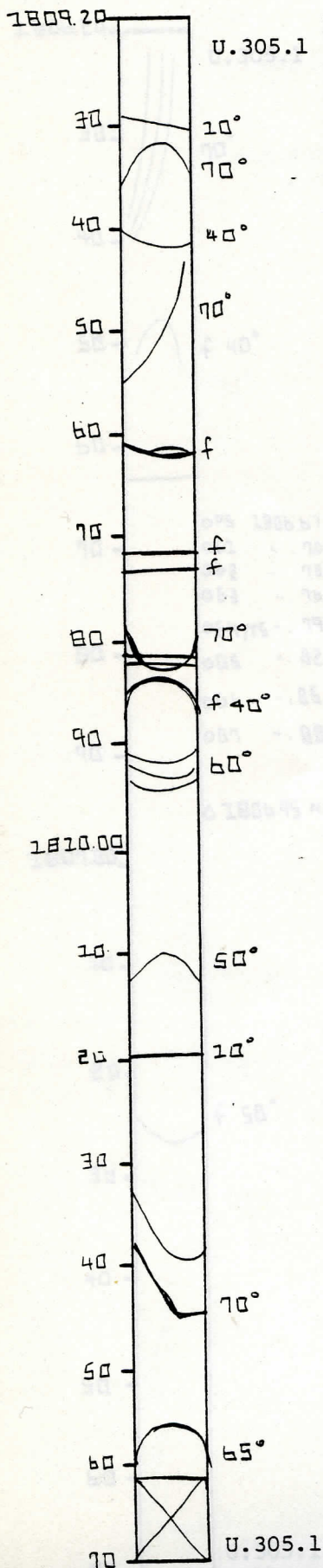
Observer

Depth Interval 180914 cm to 181059 cm

Box 309, Section 2

Graphic Representation

Sample



LITHOLOGY-PETROGRAPHY

Continues U.305.1

Grey-green plagioclase-phyric basalt, pyrite in very small patches.

STRUCTURE

Massive

VESICLES/AMYGDALAS

No

FRACTURES - VEINS - BRECCIA

Moderately fractured

ROCK ALTERATION

Low